



***Model 650 Digital
Counting Scale***

Operation & Calibration Manual

Revision 1.0
July, 2003

Contents subject to change without notice.

Salter Brecknell Weighing Products.
1000 Armstrong Drive
Fairmont, MN 56031
Tel (800) 637-0529
Tel (507) 238-8702
Fax (507) 238-8271

E-mail: sales@salterbrecknell.com

Web: www.salterbrecknell.com

Electromagnetic Compatibility Statement for North America

This equipment has been tested and found to comply with the limits for a Class A digital device, pursuant to Part 15 of the FCC Rules. These limits are designed to provide reasonable protection against harmful interference when the equipment is operated in a commercial environment. This equipment generates, uses and can radiate radio frequency energy and, if not installed and used in accordance with the instructions manual, may cause harmful interference to radio communications. Operation of this equipment in a residential area is likely to cause harmful interference in which case the user will be required to correct the interference at his/her own expense.

TABLE OF CONTENTS

	<u>Page</u>
Chapter 1: Introduction to the Salter Brecknell 650 Series Digital Counting Scale	7
Chapter 2: Getting Started.....	8
Chapter 3: Basics of Operation.....	10
3.1 Display	10
3.1.1 Liquid Crystal Display (LCD)	11
3.2 Keyboard.....	11
3.2.1 Soft Keys.....	11
3.2.2 Function and Numeric Keys.....	11
3.3 General Scale Operation	12
3.3.1 Weighing an Item.....	12
3.3.2 Taring an Item of Unknown Weight	12
3.3.3 Taring an Item of Known Weight	12
3.3.4 Clearing a Tare	13
3.3.5 Piece Counting.....	13
3.3.6 Clearing the Piece Count.....	13
Chapter 4: Advanced Features and Operation.....	14
4.1 Unit Weight Entry.....	14
4.1.1 Unit Weight Entry.....	14
4.2 Item ID Storage.....	15
4.2.1 Recalling an Existing Item Entry	15
4.2.2 Adding a New Item Entry	16
4.2.3 Editing an Item Entry.....	16
4.2.4 Deleting an Item Entry	18
4.2.5 Deleting All Item Entries.....	18
4.3 Memory Accumulator	18
4.3.1 Displaying the Memory Accumulator	19
4.3.2 Adding to the Memory Accumulator.....	19
4.3.3 Clearing the Memory Accumulator.....	19
4.4 Using the Target Value	19
4.5 Charging the battery	21
CHAPTER 5 Setup	22
5.1 Setup Overview.....	22
5.2 Configuration Sub-Menu	22
5.3 Super Sub Menu.....	23

5.3.1	Accuracy	23
5.3.2	Minimum Sample Size	24
5.3.3	Local & Remote Filter	24
5.4	Service Sub-Menu	24
5.4.1	Calibration – Three Point	25
5.4.2	Calibration – Single Point.....	25
5.4.3	KCalZR	26
5.4.4	KCalSP	26
5.4.5	Local	26
5.4.6	Remote	26
5.4.7	Setcom.....	27
5.4.8	Restore System defaults.....	28
5.4.9	Light	28
5.5	Print Format	
5.5.1	Margins	29
5.5.2	Header	29
5.5.3	Print Model.....	29
5.5.4	Fields	29
5.5.5	Label	30
5.5.1	Download from PC.....	30
5.5.6	Diagnostics	30
5.6	Item ID Sub-menu.....	32
5.6.1	Initial Item.....	32
5.6.2	Enable Save.....	32
5.6.3	Downlaod & Upload	32
5.6.4	Print.....	32
5.6.5	List	32
Chapter 6:	Calibration.....	33
6.1	Calibration Overview	33
6.2	Calibration Menu.....	33

Appendix A: Specifications	35
Appendix B: Serial Port Information	36
B.1 COM1 Serial Port	36
B.1.1 Connecting the Serial Printer	36
B.1.2 Default Print Format.....	37
B.1.3 Connecting to MP-20	37
B.2 COM2 Serial Port.....	37
B.2.1 Connecting the Scanner, Remote Display or Computer.....	37
B.2.2 Full Duplex Modes for COM2.....	38
B.2.2.1 Demand Mode	38
B.2.2.2 Continuous Mode.....	39
B.2.3 Connection to a 610 or 630	40
Appendix C: Error Messages.....	42
C.1 Error Messages.....	42
C.1.1 Operator Errors	42
C.1.2 Calibration Errors	43
Appendix D: Remote Scale Wiring	44
D.1 Remote Scale Wiring	44

LIST OF FIGURES

1-1 650 Series Front Panel	7
2-1 650 Back Panel.....	8
3-1 650 Display Detail	10
3-2 Function and Numeric Keys Layout	11
4-1 Item ID List Screen	16
4-2 Edit Item ID Screen.....	17
B-1 Pin Assignments for COM1 Serial Port	36
B-2 Cable Diagram for Scale to Dot Matrix Printer	36
B-3 Cable Diagram for Scale to Thermal Printer.....	36
B-4 Default Print Format for Thermal Printer	36
B-5 Pin Assignments for COM2 Serial Port	38
B-6 Cable Diagram for Scale to Computer.....	38
B-7 Cable Diagram for Scale to Scanner	38
B-8 Consolidated Controls Demand Mode.....	38
B-9 Consolidated Controls Continuous Mode	39
D-1 Color Codes for Shielded Load Cell Cable	44
D-2 Pin Assignments for the Load Cell Port.....	44

LIST OF TABLES

1-1	650 Series Product Matrix	7
3-1	650 Series Annunciator Definitions.....	10
4-1	Entering Alphanumeric Characters.....	17
5-1	Configuration Sub-Menu Items.....	22
5-2	Supervisor Sub-menu Items	23
5-3	Sample weight required for minimum controlled accuracy.....	23
5-4	Service Sub-menu Items	25
5-5	Local/Remote Scale Sub-menu Items.....	26
5-6	COM1 and COM2 Sub-Menu Items	28
5-7	Print commands for formatting a label with WYSIWYG software.....	30
5-8	Diagnostic submenu.....	31
6-1	Minimum / Recommended Calibration Test Weights for Local Scale	34
B-1	Cable Diagram for Scale to Printer.....	36

CHAPTER 1:

INTRODUCTION TO THE SALTER BRECKNELL 650 DIGITAL COUNTING SCALE

The Salter Brecknell Model 650 Series Digital Counting Scale is an easy to use, high-resolution counting scale featuring keyboard tare, average piece weight entry, item ID storage and custom programmable label formatting. It is equipped with many useful features that are normally found on much more expensive scale products, including dual-channel, memory accumulator and set point target values (under/target/over).

Options include three 5V TTL outputs and a rechargeable battery for portable applications.

The scale is available in four avoirdupois weight capacities. There are five units of measure available. Table 1-1 shows the 650 series product matrix.

Prior to using the scale, please read this user’s guide carefully and completely. Store the manual in a safe and convenient place so it will be available if you have questions concerning the operation of the scale.

OVERVIEW

Installation and wiring instructions for a remote scale are found in Appendix D. The scale contains two main setup menus - the Service Menu and the Supervisor Menu. The Service Menu configures the scale to your remote weigh platform. The Supervisor Menu configures the serial communication ports and enables user options. Chapter 5 covers both menus in detail. Chapter 6 covers system calibration. Prior to installing the scale, please read this manual carefully and completely. Store the manual in a safe and convenient place so it will be available if you have questions concerning the setup and operation of the scale.

MODEL	POUNDS	KILOGRAMS	GRAMS	OUNCES
650-12	12 x .001 lb	6 x 0.0005 kg	6000 x 0.5 g	192 x 0.02 oz
650-30	30 x .002 lb	15 x 0.001 kg	15000 x 1 g	480 x 0.05 oz
650-60	60 x .005 lb	30 x 0.002 kg	30000 x 2 g	960 x 0.1 oz
650-120	120 x .01 lb	60 x 0.005 kg	60000 x 5 g	1920 x 0.2 oz

TABLE 1-1: 650 Series Product Matrix

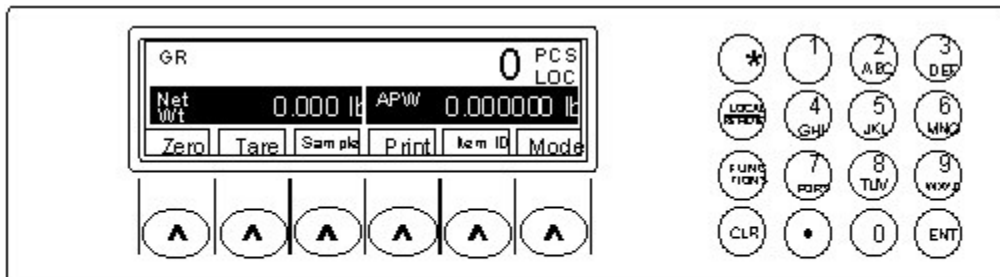


FIGURE 1-1: 650 Series Front Panel

CHAPTER 2: GETTING STARTED

After unpacking the scale, a small amount of preparation is required before the scale can be used. .

2.1 REAR PANEL

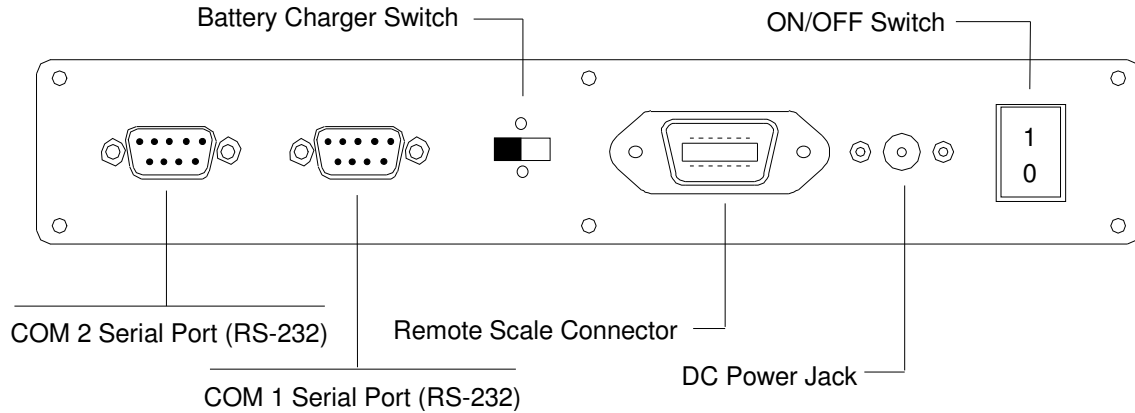


Figure 2-1: 650 Rear Panel

Step 1. Position the scale in its area of intended use. Observe the following guidelines for suitable location.

1. Choose a firm, stable floor or table.
2. Do not share an AC outlet with electrical noise producing equipment, such as refrigeration units. This includes products with electrical motors and/or relays.
3. Do not place the scale in an area with changing ambient temperature and/or high humidity.
4. Do not place the scale in an area prone to exposure to direct sunlight, wind, or dust.
5. Do not place the scale in an area with vibrating equipment.

Step 2. Install the power supply - Non-battery-powered Units Only

1. After placing the scale in its area of use, locate the AC Adapter that shipped with the scale.
2. Connect the female end of the AC Adapter to the connector on the rear of scale, and then plug the adapter into an AC outlet. **Make sure that the AC voltage appearing at the wall outlet matches the input voltage marked on the AC adapter.**

Step 3. If applicable, install the serial device(s).

1. Connect the optional serial printer using the serial cable supplied with the printer or TTL Outputs to the COM1 port. See Appendix B for cabling requirements and pin outs for TTL output.

NOTE: If interfacing to a printer not supplied by Salter Brecknell, see Appendix B for pin outs.

1. Connect the optional scanner or QWERTY keyboard or Bar Code Scanner to COM2 port. Both devices come with their own built-in cable.

NOTE: If interfacing to a computer or remote display, see Appendix B for pin outs.

2. Configure the communication parameters and select the device type as detailed in Section 5.4.7

NOTE 1: If using a printer with your system, be sure to set the time and date. See Sections 5.2.

Step 4. If applicable, install the remote scale.

1. Connect the remote scale to the 650's remote scale port using the provided remote scale cable. Consult Appendix D for proper cabling.
2. Configure the remote scale's parameters in the Service Menu as detailed in Chapter 5.
3. Calibrate the remote scale as detailed in Chapter 6.
4. Enable the remote scale in the Supervisor Menu as detailed in Chapter 5.

Step 5. Switch the scale ON to begin use.

CHAPTER 3: OPERATION

3.1 DISPLAY

The Model 650 scale utilizes an LCD (Liquid Crystal Display) capable of displaying various sizes of characters and graphic images.

3.1.1 LIQUID CRYSTAL DISPLAY (LCD)

Figure 3-1 shows the display detail of the 650 Series. As shown in Figure 3-1, the scale displays weight information as well as the soft keys. Soft keys are generic keys whose functions change as the scale's operation changes. When additional information is needed, the scale will prompt for the information in pop-up windows. Table 3-1 lists the various annunciators you may see and their meanings.

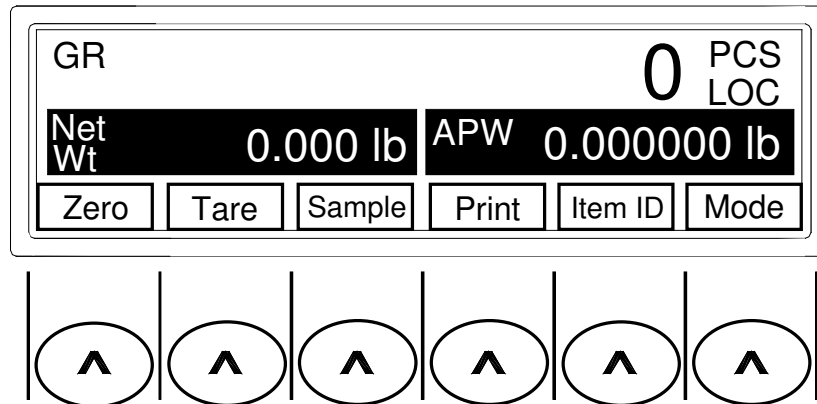


FIGURE 3-1: 650 Display Detail

Annunciator	MEANING
APW	Indicates the APW (Average Piece Weight) of the items you are counting.
GR, NET	Indicates Gross or Net weight.
lb, kg, g, oz, lb-oz	Indicates the unit of the displayed weight.
PCS	Indicates the number of pieces on the platform.
REM, LOC	Indicates that the displayed weight is from the remote scale or the local scale.
T	Indicates that a tare has been established in the system.

TABLE 3-1: 650 Series Annunciator Definitions

3.2 KEYBOARD

The keyboard is composed of six soft keys, six function keys and ten numeric keys. Refer to Figure 3-1 and Figure 3-2 for the overall layout and key locations.

3.2.1 SOFT KEYS

Here are some soft keys that you will encounter during normal scale operation.

Zero - This key sets the scale to display zero.

Tare - This key is used to establish a Tare as long as the scale is not at or below Gross zero.

Sample – This key puts the scale into sampling mode, which is used for piece counting. See Section 3.3.5 for more information.

Print - This key is used to send weight information out to the serial interface port as long as the scale is in a state of stability.

Item ID – This key is used to enter/recall an item record stored in the scale’s database.

Mode – This key toggles the scale among the weight, pieces and APW (average piece weight) display screens.



FIGURE 3-2: Function and Numeric Keys Layout

3.2.2 FUNCTION AND NUMERIC KEYS

CLR - This key is used to clear the current APW and tare from the scale. This key is also used to escape from a screen that you may have entered accidentally.

Decimal Point - This key is used to enter a decimal point when entering numeric values. This key is also used to activate and deactivate the hold feature if enabled in the Supervisor Menu.

ENT - This key is used to enter a numeric entry and to answer “YES” to a Yes/No question.

LOCAL/REMOTE - This key is used to select the local or remote scale. The scale displays information pertaining only to the scale that is selected.

FUNCTIONS - This key is used to access the scale’s advanced features and operations. See Chapter 4 for more information.

***** – This key is used to access the scale’s Supervisor, Service and Configuration Menus. See Chapter 5 for more information.

0-9 – These keys are used to enter numeric and alphanumeric data into the scale.

3.3 GENERAL SCALE OPERATION

3.3.1 WEIGHING AN ITEM

1. If your 650 is connected to remote scale, use the LOCAL/REMOTE key to select the scale you wish to use to do the weighing.
2. If necessary, press the “Zero” soft key to obtain a weight reading of zero.
3. Place the object to be weighed on the scale’s platter and allow the weight indication to stabilize. If the item weight exceeds the scale’s weight capacity, it displays “*Maximum Scale Weight Exceeded*”.
4. Read the weight shown on the display.

Note: If you wish to change the unit of measure, press the “Mode” soft key followed by the “Unit” soft key.

3.3.2 TARING AN ITEM OF UNKNOWN WEIGHT

To weigh an item in a container, the weight of that container must first be subtracted from the overall weight to obtain an accurate weight reading. This is known as a Tare.

1. If your 650 is connected to remote scale, use the LOCAL/REMOTE key to select the scale you wish to use to do the weighing.
2. If necessary, press the “Zero” soft key to obtain a weight reading of zero.
3. Place the empty container on the scale’s platter and allow the weight indication to stabilize.
4. Press the “Tare” soft key. The display shows zero weight and turns on the TARE and NET annunciators.
5. Place the material to be weighed in the container and allow the weight indication to stabilize.
6. Read the weight shown on the display.

3.3.3 TARING AN ITEM OF KNOWN WEIGHT

If the weight of the container or object is known, you may enter this weight via the keyboard. This value must be rounded to the nearest scale division. For example, on a 60 x 0.002 lb scale, you must enter the tare weight value to the nearest 0.002 lb.

1. If your 650 is connected to remote scale, use the Local/Remote key to select the scale you wish to use to do the weighing.
2. Press the FUNCTIONS hard key.
3. Press the MORE soft key.
4. Press the KTARE soft key. Scale prompts “Key in tare value in XX” (either lb or kg depending on unit selected)
5. Using the numeric keys, enter the known tare weight using the scale keyboard and press ENT. The display shows minus weight and turns the NET annunciator on. Place the material to be weighed in the container and allow the weight indication to stabilize.
6. Read the weight shown on the display.

3.3.4 CLEARING A TARE

1. To clear a tare, press the CLR key twice at any time. The TARE and NET annunciator disappears and gross weight is displayed.

3.3.5 PIECE COUNTING

This mode is used to indicate the number of pieces of an item you have placed on the scale's platform and is accessed by pressing the "Sample" soft key.

Piece counting is accomplished by determining an average piece weight (APW). The two variables that affect the accuracy of the APW are the number of samples used and the total weight of the samples. The 650 allows you control over these two variables. See section 5.3.1 Minimum Accuracy Feature and see section 5.3.2 Minimum Sample Size. Setting these two functions guards against an APW of the items that is too light and also guards against the total weight of the sample being too light. Accuracy cannot be guaranteed without adequate sample size and sample weight. If the sample pieces don't meet the minimum requirements, you will get an error message to add additional pieces to achieve the preset level of counting accuracy.

3.3.5.1 Create a new APW from sampling

1. If the items you will be counting require a container, you must first place the empty container on the scale platform and then press the "Tare" soft key. The scale switches to NET mode and sets the displayed weight to zero.
NOTE: Enabling the Auto Tare feature in the Supervisor Menu (Chapter 5) can eliminate this step.
2. Press the "Sample" soft key. The scale will display "*Add X PCS to Platter then Press the ENT key*" as determined from section 5.3.2 Minimum Sample Size. You may choose a larger sample size from the soft keys or press the KEYIN soft key and enter any size sample number.
3. Place the sample pieces on the platform all at once and press the ENT key to complete the sample process. If the sample pieces used meet the accuracy criteria set in section 5.3.1 Minimum Accuracy Feature and 5.3.2 Minimum Sample Size, the scale will now calculate the APW and display the number of pieces and APW on the scale. If it does not, the scale displays a prompting message to add a certain number of pieces to continue piece counting.

NOTE 1: You can eliminate the need to press the ENT key by enabling the Auto Sampling feature in the Supervisor Menu (Chapter 5).

NOTE 2: You can program the scale to automatically switch from the local scale to the remote scale (if equipped) by enabling the Auto Switch Channel feature in the Configuration Menu (Chapter 5). The scale will automatically switch channels after a successfully sample has been made.

3.3.6 CLEARING THE PIECE COUNT

1. To clear the piece count, either press the CLR key twice or press the SAMPLE soft key and begin a new sample process.

NOTE: You can eliminate the need to press the CLR key by enabling the Auto Tare APW Clear feature in the Configuration Menu (Chapter 5). Be careful here, enabling auto clear functions require a new tare and APW input each time the scale weight goes to zero.

CHAPTER 4: ADVANCED FEATURES AND OPERATION

4.1 UNIT WEIGHT ENTRY

The APW may already be known from using another scale, an engineered standard or from a bar coded label. If you already know the APW (Average Piece Weight of the items you wish to count, then use one of the following procedures.

4.1.1 APW ENTRY FROM KEYBOARD

1. Press the “Sample” soft key. The scale prompts you to add pieces to the platter.
2. Press the “APW” soft key. The scale prompts you to choose either KEYIN or TCS.
3. Press the KEYIN soft key. The scale prompts you to input the average piece weight.
4. Using the numeric and decimal point keys, key-in the actual APW value.
5. Press the ENT key. If the unit weight is large enough, the scale will now display the number of pieces on the scale. If it does not, the scale briefly displays an error message, but still allows piece counting.

NOTE 1: If the scale displays a “Low Resolution” message, the unit weight of the items you wish to count is too light for your scale to process accurately.

4.1.2 APW ENTRY FROM SCANNER

To use this method, you must have a working CCD or laser scanner plugged into the COM2 port and the 650 scale must have printed the barcode you are scanning. See section 5.4.7 for COM 2 setup.

1. If an APW is already showing on the display, press the CLR key twice to clear APW from scale.
2. Aim the scanner at the APW barcode you wish to scan and press the trigger. When the scanner beeps, the 650 scale will briefly display the scanned-in APW.
3. Place your parts on the 650 scale. If the APW is large enough, the 650 scale will now display the number of pieces on the scale. If it does not, the scale briefly displays an error message, but still allows piece counting.

4.1.3 UPLOAD APW FROM TC SERIES SCALE¹

To use this method, you must have either a 610 or a 630 scale connected to COM2. See Appendix B for pin outs. NOTE: Scanner must be selected for COM2 in section 5.4.7.

NOTE: The 610 or 630 scale must be configured for “Transmit APW Mode”. See scale manual for more information.

1. If an APW is already showing on the display, press the CLEAR key twice on the 650 scale to clear current APW.
2. Perform the sampling on the 610 or 630 scale.

¹ Also works with PBS Series scale.

3. On the 650 scale, press the “Sample” soft key. The scale prompts you to add pieces to the platter.
4. Press the “APW” soft key. The scale prompts you to choose either KEYIN or TCS (TC Series).
5. Press the “TCS” soft key. The 650 attempts to communicate with the TC Series scale. If successful, the 650 will briefly display the uploaded APW.
6. Place your parts on the 650 scale. If the APW is large enough, the 650 scale will now display the number of pieces on the scale. If it does not, the scale briefly displays an error message, but still allows piece counting.

4.2 ITEM ID STORAGE

Your scale can store piece weight information for up to 2000 item records. These items are stored and retrieved under an Item ID number. The Item ID numbers are sequential 0 –2000, maintained automatically by the scale and cannot be changed. Each item record stores the following information:

- Item ID – a 4 digit sequential number automatically assigned each time a new Item ID is stored
- Product ID – an alphanumeric field consisting of up to 15 characters
- Name – an alphanumeric field consisting of up to 25 characters
- Accumulator – whole number up to approx 99,999,999.
- Average Piece Weight (APW)
NOTE: After sampling, the APW is automatically stored in this field.
- Tare Weight – of the Container for Local Scale
- Tare Weight – of the Container for Remote Scale (if equipped)
- Unit – unit of measure (saved automatically)

After sampling an item, you can store its information automatically by adding a new item entry. Once created and stored, you can recall and modify the item’s information by calling up its Item ID number. A list of all stored items can be called up very easily.

4.2.1 RECALLING AN EXISTING ITEM ENTRY

1. Press the Item ID soft key. The scale prompts for the Item ID number.
2. Key-in the sequential four digit Item ID number and press the ENT key. The scale automatically recalls the stored information.

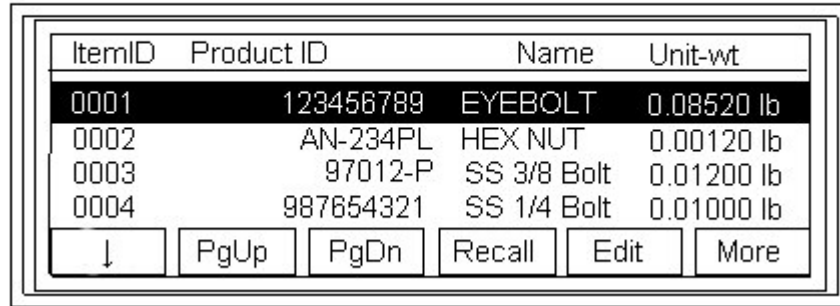
NOTE 1: If you do not know the four digit Item ID number, press the LIST soft key. The scale displays the screen shown in Figure 4-1. Four Item Ids are shown for each screen. Use the up/down arrow soft keys to move within the four Item Ids shown. Use the PgUp and PgDn soft to recall additional groups of four Item Ids. If your list of Item Ids is long, press the ENT key and the scale prompts “Input Item ID:” Enter the starting Item Id number and the list will begin with that number. Some fields may be truncated due to display limitations. Once the desired item is highlighted, press the Recall soft key.

NOTE 2: If you wish to key in the Product ID rather than the sequential Item ID, Press the ITEM ID soft key, then press the KEYIN soft key and the scale prompts “Enter Product ID”. Enter the Product ID and press ENT. The scale loads the APW and other record information and begins counting.

NOTE 3: If so equipped, you may use your scale’s barcode scanner to scan in the Product ID rather than the sequential Item ID number from a pre-printed label. The scale loads the APW and other record information and begins

counting.

NOTE 4: If using the remote QWERTY keyboard, use the ENTER key from the remote keyboard for Product ID.



ItemID	Product ID	Name	Unit-wt
0001	123456789	EYEBOLT	0.08520 lb
0002	AN-234PL	HEX NUT	0.00120 lb
0003	97012-P	SS 3/8 Bolt	0.01200 lb
0004	987654321	SS 1/4 Bolt	0.01000 lb

↓ PgUp PgDn Recall Edit More

FIGURE 4-1: Item ID List Screen

4.2.2 ADDING A NEW ITEM ENTRY

1. Sample the new item or enter its APW into the scale as previously described.
2. Press the Item ID soft key. The scale prompts for the Item ID number. See FIGURE 4-2
3. The Product ID field is highlighted. If you want to enter a Product ID
 - a. Press the Edit soft key. You will see a flashing cursor.
 - b. Use the scale keyboard or optional QWERTY keyboard to enter the Product ID. See TABLE 4-1: Entering Alphanumeric Characters
 - c. Press the ENT key.
4. Press the Done soft key. The scale confirms that you wish to save the changes.
5. Press the Yes soft key to save the changes.

NOTE: You may instead choose to download an item ID database from a PC. See separate manual. **If using the remote QWERTY keyboard, use the ENTER key from the remote keyboard for Product ID and Name. Use the ENT keyboard from the scale for the other fields.**

4.2.3 EDITING AN ITEM ENTRY

1. Press the Item ID soft key. The scale prompts for the Item ID number.
2. Press the List soft key to edit by Item ID (see note 1) or press the Product ID key (see note 2) to edit by Product ID.
3. Key-in the sequential four digit Item ID number and press the ENT key. The scale automatically recalls the stored information.

NOTE 1: If you do not know the four digit Item ID number, press the LIST soft key. The scale displays the screen shown in Figure 4-1. Four Item Ids are shown for each screen. Use the up/down arrow soft keys to move within the four Item Ids shown. Use the PgUp and PgDn soft to recall additional groups of four Item Ids. If your list of Item Ids is long, press the ENT key and the scale prompts "Input Item ID:" Enter the starting Item Id number and the list will begin with that number

NOTE 2: If you wish to key in the Product ID rather than the sequential Item ID,

Press the ITEM ID soft key, then press the KEYIN soft key and the scale prompts “Enter Product ID”. Enter the Product ID and press ENT. The scale loads the record information.

NOTE 3: If using the remote QWERTY keyboard, use the ENTER key from the remote keyboard for Product ID and Name. Use the ENT keyboard from the scale for the other fields.

- Once the desired item is highlighted, press the Edit soft key. The scale displays a list of stored item entries. The scale displays a summary of the item’s information on the screen shown in Figure 4-2.

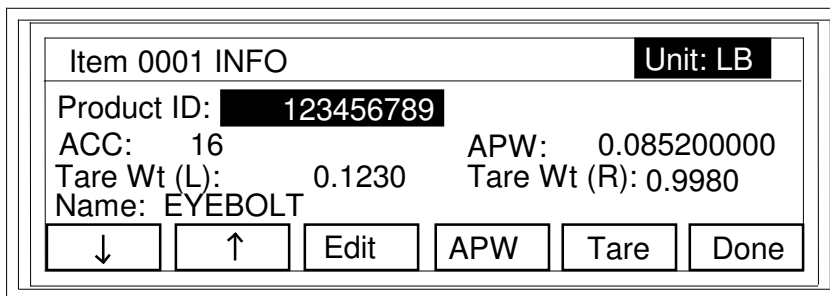


FIGURE 4-2: Edit Item ID Screen

- Use the Up and Down soft keys to highlight alphanumeric fields or the APW or TARE soft key to select those numeric fields you wish to edit.
- Once the desired field is highlighted, press the Edit soft key.

To edit a numeric field, simply enter in the new data using the numeric keys followed by the ENT key, or you can use the optional QWERTY keyboard. Numeric fields include APW, Tare Wt (Local) and Tare Wt (Remote). If you make an entry mistake, press the CLR key to restore the original data.

To edit the Product ID and the Name field, use the numeric keys to enter alphanumeric characters, or you can again use the optional QWERTY keyboard. On the 650, two numeric keystrokes are required to enter one alphanumeric character. Use Table 4-1 to determine how to enter each alpha character. When you are done entering the Name field, press the ENT key. If you make an entry mistake, press the CLR key to restore the original data.

"0" = 0 + 0	"1" = 0 + 1	"2" = 0 + 2	"3" = 0 + 3	"4" = 0 + 4	"5" = 0 + 5	"6" = 0 + 6	"Z" = 9 + 4
"7" = 0 + 7	"8" = 0 + 8	"9" = 0 + 9	"A" = 2 + 1	"B" = 2 + 2	"C" = 2 + 3	"D" = 3 + 1	" " = 1 + 1
"E" = 3 + 2	"F" = 3 + 3	"G" = 4 + 1	"H" = 4 + 2	"I" = 4 + 3	"J" = 5 + 1	"K" = 5 + 2	
"L" = 5 + 3	"M" = 6 + 1	"N" = 6 + 2	"O" = 6 + 3	"P" = 7 + 1	"Q" = 7 + 2	"R" = 7 + 3	
"S" = 7 + 4	"T" = 8 + 1	"U" = 8 + 2	"V" = 8 + 3	"W" = 9 + 1	"X" = 9 + 2	"Y" = 9 + 3	

TABLE 4-1: Entering Alphanumeric Characters

- Once all fields are edited, press the Done soft key. The scale confirms that you wish to save the changes.
- Press the Yes soft key to save the changes. Otherwise, press the No soft key.

NOTE: By default, the operator is not allowed to make changes to the APW or Tare values. You may edit the APW and Tare values by pressing the APW or TARE soft keys in the edit item screen, and then continue to follow the prompts.

4.2.4 DELETING AN ITEM ENTRY

1. Press the Item ID soft key. The scale prompts for the Item ID number.
2. Press the List soft key to delete by Item ID (see note 1) or press the Product ID key (see note 2) to delete by Product ID.

NOTE 1: If you do not know the four digit Item ID number, press the LIST soft key. The scale displays the screen shown in Figure 4-1. Four Item Ids are shown for each screen. Use the up/down arrow soft keys to move within the four Item Ids shown. Use the PgUp and PgDn soft to recall additional groups of four Item Ids. If your list of Item Ids is long, press the ENT key and the scale prompts "Input Item ID:" Enter the starting Item Id number and the list will begin with that number

NOTE 2: If you wish to key in the Product ID rather than the sequential Item ID, Press the ITEM ID soft key, then press the KEYIN soft key and the scale prompts "Enter Product ID". Enter the Product ID and press ENT. The scale loads the record information.

3. Once the desired item is highlighted, press the More soft key.
4. Press the Delete soft key. The scale asks you to confirm this action.
5. Press the Yes soft key to delete the item or press the No soft key to exit without deleting.

4.2.5 DELETING ALL ITEM ENTRIES

NOTE: This procedure erases ALL items from memory storage. Once completed, this procedure cannot be undone. Use with extreme caution.

1. Press the * key. The scale prompts for the menu you wish to enter.
2. Select the Item ID soft key. The scale prompts for a password.
3. Enter in the password (6666). There is no need to press the ENT key.
4. Press the Int Item soft key. The scale asks you to confirm this action.
5. Press the Yes soft key to erase all of the items from memory. The scale confirms the action and returns to the previous screen. **Press the No soft key to exit without deleting.**
6. Press the CLR key twice to return to normal operating mode.

4.3 MEMORY ACCUMULATOR

Your scale comes equipped with a handy memory accumulator, which can be used in conjunction with the piece counting feature. As with a hand-held calculator, the memory accumulator can be added to, displayed and cleared at anytime. If an item ID is loaded into memory, the accumulator field for that item is manipulated and stored every time you use the accumulator.

To access the memory accumulator soft keys, press the FUNCTIONS key.

NOTE: This feature can be used when in PCS mode only.

4.3.1 DISPLAYING THE MEMORY ACCUMULATOR

1. Press the MR soft key. The scale briefly displays the total number of pieces.

4.3.2 ADDING TO THE MEMORY ACCUMULATOR

1. Press the M+ soft key. The scale adds the current number of pieces to the memory accumulator, and then briefly displays the total number of pieces.

4.3.3 SUBTRACTING FROM THE MEMORY ACCUMULATOR

1. Place the pieces you wish to subtract on the scale.
2. Press the FUNCTIONS key.
3. Press the M - soft key. The scale subtracts the current number of pieces from the memory accumulator, and then briefly displays the total number of pieces.
4. When finished, press the CLR key to return to the main screen.

4.3.4 CLEARING THE MEMORY ACCUMULATOR

1. Press the MC soft key. The scale asks if you wish to clear the memory accumulator.
2. Press the Yes soft key to clear the accumulator memory or press the No soft key if you do not wish to clear the accumulator memory.

NOTE: To exit the memory accumulator function, press the CLR key once.

4.4 USING THE TARGET VALUE

This function works in conjunction with the piece counting or weighing mode feature and allows your scale to act as a checkweigher. This is useful if you are filling a container with a pre-determined amount of items or material.

To use, you must enter two values – a lower limit value and an upper limit value. These are chosen based on the tolerance of your target value. For example, if you wish to fill a bottle with 100 items and you have a tolerance of ± 2 pieces, you would set your lower limit value to 98 and your upper limit value to 102. The lower and upper limit values may be the same if you have no tolerance allowance.

If the number of items on the platform is within the two limits, the scale flashes the “Target” soft and beeps.

To enable the weight or pcs mode:

1. Press the * key
2. Press the CONFIG soft key and the scale prompts for password. Enter 1111.
3. Press the MORE soft key
4. Press the SETPNT soft key.
5. Press the SP1 soft key.
6. Press either the weight or pcs soft key to enable the function.
7. Enter the upper and lower values. Press the ENT key to enter.
8. Press clear to step back one level.
9. Press the SP2 key and enter the jog time. Press ENT to enter.
10. Press clear to step back one level.

11. Press the SP3 key. Select enable or disable.
12. Press the CLEAR key to step back to the main menu.

To enter or change target values from the main menu:

1. Press the FUNCTIONS key.
2. Press the TARGET soft key. The scale prompts for the lower limit value.
3. Use the numeric keys to key-in the lower limit value then press the ENT key. The scale prompts for the upper limit value.
4. Use the numeric keys to key-in the upper limit value then press the ENT key.
5. Place items on scale until the scale signals that the items are within the entered limits.

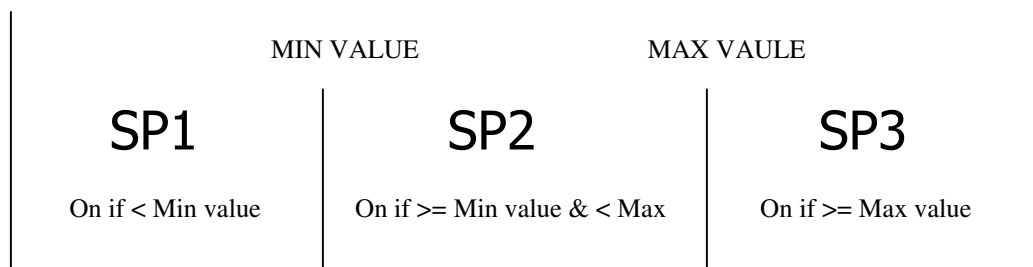
NOTE: To exit the target function, press the CLR key once.

Example: The following example shows a typical use of the TTL outputs from the TC- 2010.

1. Application is to fill a box of parts from a conveyor that.. The desired count is 1000 pcs with tolerance of -5 pcs and + 5 pcs.
2. Set point 1 has a minimum value of 995 pcs and a maximum value of 1005 pcs.
3. Set point 2 has a jog time of 10 which is one second. ($10 \times 1/10^{\text{th}}$ sec)
4. Set point 3 is enabled and controls a push arm.
5. A box is placed on the scale and the weight is tared off.
6. A piece count is created.
7. The operator presses start on a control box and the conveyor starts moving parts into the box.
8. When the count reaches 995 pcs, the conveyor stops.
9. The conveyor jogs forward for one second and stops for one second and repeats until 1005 pcs are counted.
10. A control arm then pushes the box off the scale and down a gravity conveyor.

NOTES:

1. If the count/weight value is below the minimum value, set TTL 1 is active, TTL 2 and 3 are off.
2. If the count value is equal to or greater than the minimum value but less than the maximum value, TTL2 is active, TTL 1 and 3 are off.
3. If the count/weight value is greater than or equal to the maximum value, TTL3 is active and TTL 1 & 2 are off.



Only one set point is active at a time. When a set point is active, the others are not.

4.5 CHARGING THE BATTERY

If your scale came equipped with the optional battery pack, follow this procedure to properly charge your batteries.

NOTE: You should perform this procedure whenever the scale's low battery annunciator (BATT) turns on.

1. Push and hold the ON/OFF key for five seconds, then release or use the power switch to shut the scale OFF.
2. Locate the battery charger switch on the rear panel of the scale.

NOTE: This may be hidden behind a metal plate held on by two drilled-head screws.



3. Position the switch as shown here:
4. Locate the AC adapter that shipped with the scale.
5. Connect the female end of the AC Adapter to the connector on the rear of scale, and then plug the adapter into an AC outlet. **Be sure to use the 24 VDC, 2A AC adapter that shipped with the scale. Any other AC adapter may cause damage to the scale.**
6. Allow at least three hours for the batteries to become fully charged. At the end of the charging period, simply disconnect the AC adapter and resume normal use.

NOTE 1: The batteries will be charged regardless of the setting of the power switch (ON or OFF). You may continue to use the scale while the batteries are charging if you wish.

NOTE 2: After charging the batteries, you may leave the battery charger switch in the position shown above. If, however, you wish to store or ship the scale, you should position it the opposite way.

CHAPTER 5: SETUP

5.1 SETUP OVERVIEW

Press the * key offers you 6 soft key choices – CONFIG, SUPER, SERVIC, PRT FM, DIAG, ITEM ID

5.2 CONFIG SUB-MENU

Table 5-1 lists the items which are contained in the Configuration sub-menu. The CONFIG password is 1111.

To access the Configuration sub-menu, follow the instructions below.

1. Press the * button and scale prompts “Select a setup menu”.
2. Press the Config soft key. The prompts for “Input Password. Enter 1111. The Configuration sub-menu items are listed above the six soft keys. Press the More or Back soft keys to see more choices.
3. Press the soft key pertaining to the item you wish to modify. The scale shows the current status or selection of that item in the form of a highlighted soft key text.
4. Press the soft key corresponding to the desired status then press the ENT key. You may exit this screen without making changes by pressing the CLR key.
5. Repeat steps 3 and 4 above until the configuration is complete.
6. Press the CLR key twice to return to normal operating mode.

ITEM	SOFT KEY	DESCRIPTION
Auto Sampling Enable/Disable	AUSMPL	Allows you to change the status of the auto sampling feature. The default setting is disabled.
Auto Tare Enable/Disable	AUTARE	Allows you to change the status of the auto tare feature. The default setting is disabled.
Auto Tare Clear Enable/Disable	TRCLR	Allows you to change the status of the auto tare clear feature. The default setting is disabled.
Auto Tare APW Clear Enable/Disable	TRAWCL	Allows you to change the status of the auto tare APW clear feature. The default setting is disabled.
Auto Switch Channel Enable/Disable	AUTOSW	Allows you to change the status of the auto switch channel feature. The default setting is disabled
Clock	CLOCK	Sets time and date
Tare	TARE	Sets basic menu soft key for tare entry or keyboard tare entry
Time Format	TIMEMT	Selects 12 hour or 24 hour clock
Date Format	DATEMT	Sets date format – standard or international
Setpoint	SETPNT	Enables or disables setpoints

TABLE 5-1: Configuration Sub-menu Items

5.3 SUPER SUB MENU

Table 5-2 lists the items which are contained in the Supervisor sub-menu. The SUPER password is 2222.

To access the Supervisor sub-menu, follow the instructions below.

1. Press the * button and scale prompts "Select a setup menu".
2. Press the SUPER soft key. The prompts for "Input Password. Enter 2222. The Supervisor sub-menu items are listed above the soft keys.
3. Press the soft key pertaining to the item you wish to modify. The scale shows the current status or selection of that item in the form of a highlighted soft key text.
4. Press the soft key corresponding to the desired status then press the ENT key. You may exit this screen without making changes by pressing the CLR key.
5. Repeat steps 3 and 4 above until the Supervisor setup is complete.
6. Press the CLR key twice to return to normal operating mode.

ITEM	SOFT KEY	DESCRIPTION
Accuracy Enable Disable	ACCY	Allows you to enable or disable the controlled accuracy feature
Minimum Sample	MINSPL	Sets the minimum sample size value
Local Scale Filter	LOCFLT	Sets the amount of filtering on the TC2010 platform
Remote Scale Filter	REMFLT	Sets the amount of filtering on a remote platform

TABLE 5-2: Supervisor Sub-menu Items

5.3.1 ACCURACY

1. Pressing the accuracy soft key will prompt for a password. Enter 1111. You will then be prompted to enable or disable. If you select enable, the scale prompts for " Accuracy Setup" with soft keys showing percentage amounts. The higher the selected percentage, the greater the sample weigh must be regardless of the number of pieces. Table 5-3 illustrates the weight required in pounds for each capacity 650 and percentage setting:

Capacity	NONE	94%	95%	96%	97%	98%	99%	99.6%	99.8%	99.9%
12 lb	0	.012	.016	.024	.036	.048	.060	.072	.096	.120
30 lb	0	.030	.039	.060	.090	.120	.150	.180	.240	.300
60 lb	0	.060	.078	.120	.180	.240	.300	.360	.480	.600
120 lb	0	.120	.156	.240	.360	.480	.600	.720	.960	1.20

TABLE 5-3: Sample weight required for controlled accuracy

2. The percentage accuracy does not guarantee an accurate piece count. It controls the performance of the scale but cannot overcome variances in part weight. It is one half of controlled accuracy.
3. If the number of samples used does not meet the minimum weight required, the scale will prompt for more pieces until the minimum weight is reached.

5.3.2 MINIMUM SAMPLE

1. Pressing the minimum sample soft key will prompt for a password. Enter 2222. You will then be prompted to enter the minimum sample size from 1 – 100 pieces. This setting will require the scale operator to use your selected sample size regardless of the size or weight of the sample pieces.
2. If a scale operator uses a sample size smaller than set here, the scale will prompt for more pieces until the minimum number of samples is reached.
3. Used in conjunction with the accuracy feature, you can be assured that all scale operators will use the same criteria for counting.

5.3.3 LOCAL FILTER & REMOTE FILTER

1. Pressing the local filter soft key allows access to soft keys for AUTO or numeric levels of filtering. Auto filtering lets the scale set the required level of filtering based on existing conditions. You can also set a fixed amount of filtering with larger numbers offering more filtering. High filtering will cause the scale to react more slowly. If large filtering values are required due to excessive air and or vibration, consider taking steps to eliminate the source of air movement or vibration.
2. Pressing the remote filter soft key allows the same adjustments for an optional remote scale platform.

5.4 SERVICE SUB-MENU

Table 5-4 lists the items which are contained in the Service sub-menu. The SERVICE password is 3333.

To access the Service sub-menu, follow the instructions below.

1. Press the * button and scale prompts “Select a setup menu”.
2. Press the SERVICE soft key. The prompts for “Input Password. Enter 3333. The Service sub-menu items are listed above the six soft keys. Press the Other or Back soft keys to see more choices.
7. Press the soft key pertaining to the item you wish to modify. The scale shows the current status or selection of that item in the form of a highlighted soft key text.
8. Press the soft key corresponding to the desired status then press the ENT key. You may exit this screen without making changes by pressing the CLR key.
9. Repeat steps 3 and 4 above until the configuration is complete.
10. Press the CLR key twice to return to normal operating mode.

ITEM	SOFT KEY	DESCRIPTION
Calibration of 650 or remote platform	CALIB	Allows you to enable or disable the controlled accuracy feature
Zero Count Value/ re-entry	KCalZR	Allows re-entry of zero point value without going through calibration procedure
Full scale count value/ re-entry	KcalSP	Sets the amount of filtering on the TC2010 platform
Allows setting and changing of 650 parameters	LOCAL	Sets scale operation parameters for graduation size, creep tracking, zero tracking, zero range, motion band, digital filter, overload point, calibration unit, displayed division size, decimal point
Allows setting and changing of remote platform parameters	REMOTE	
Allows setting and changing of COM port setups	SETCOM	Sets serial protocol for COM ports
Allows global scale reset to factory defaults	SETDEF	Resets all scale parameters to factory defaults
Sets display backlight.	LIGHT	Either always on or conservation mode to save power for battery operation

TABLE 5-4: Service sub-menu items

5.4.1 CALIB – THREE POINT CALIBRATION

1. Press the soft key CALIB
2. Scale prompts “Select local or remote for calibration”.
3. Press the local or remote soft key or exit soft key to exit calibration
4. The scale prompts “Remove all weights and press enter”.
5. Remove all weight from the scale platform and press the ENT key.
6. The scale prompts “please weight” and briefly displays the zero count value and then displays “Zero Calibration Done”
7. After computing the zero point the scale prompts “Input test weight in pounds (CAL Point 1)
8. Enter the test weight value. For CAL point one use a test weight of at least 10% of the scale capacity and press ENT.
9. The scale prompts “Put test weight on the press enter”
10. Place the test weight on scale and press ENT.
11. The scale briefly displays the count value for CAL point one.
12. Follow the prompts for CAL point 2 and 3. Use approximately 50% of the scale capacity for CAL 2 and close to 100% of scale capacity for CAL 3.
13. If the calibration was completed successfully, the scale briefly display “Calibration Passed”

5.4.2 CALIB – SINGLE POINT CALIBRATION

1. Follow steps 1 – 11 in 5.4.1.
2. When the scale prompts “Input test weight in pounds (CAL Point 2) enter 0 the press ENT
3. The scale prompts “Abort Point 2 CAL?”
4. Press the YES soft key.
5. The scale prompts “Multi point cal aborted” and returns to the service sub-menu.

5.4.3 KcalZR Allows re-entry of the zero counts from last calibration

1. Press the KcalZR soft key.
2. Scale prompts "Select local or remote for calibration".
3. Press the local or remote soft key or exit soft key to exit calibration
4. Scale displays "Key in Zero Counts XXXXXX " where XXXXXX is the existing value for zero counts from the last calibration. The first digit is blinking and will accept new values entered from the keyboard. Either enter a new value and press ENT or press ENT to accept the displayed value.
5. Scale prompts "Zero count is:XXXXXX".
6. Press the Yes soft key to accept or No soft key to return to step 4.

5.4.4 KCalSP Allows re-entry of the full scale counts from last calibration

1. Press the KcalSP soft key
2. Scale prompts "Select local or remote for calibration".
3. Press the local or remote soft key or exit soft key to exit calibration
4. Scale displays "Key in Full Scale Counts XXXXXX " where XXXXXX is the existing value for full scale counts from the last calibration. The first digit is blinking and will accept new values entered from the keyboard. Either enter a new value and press ENT or press ENT to accept the displayed value
5. Scale prompts "Full Scale counts is:XXXXXX".
6. Press the Yes soft key to accept or No soft key to return to step 4

5.4.5 LOCAL Sets scale operation parameters for graduation size, creep tracking, zero tracking, zero range, motion band, digital filter, overload point, calibration unit, displayed division size, decimal point See Table 5-4.

5.4.6 Remote Sets scale operation parameters for graduation size, creep tracking, zero tracking, zero range, motion band, digital filter, overload point, calibration unit, displayed division size, decimal point See Table 5-4

PARAMETER (Soft Key Text)	DESCRIPTION	AVAILABLE CHOICES
Graduations (Grads)	Specifies number of full scale graduations. Value should be consistent with legal requirements and environmental limits on the useful system resolution.	1,000 1,500 2,000 2,500 3,000 4,000 5,000 6,000 7,500 8,000 10,000 12,000√ 15,000 20,000 24,000 30,000 40,000 50,000 100,000
Span	N/A	
Creep Tracking (CrpTrk)	Sets the range within which the scale will attempt to offset the effects of load cell creep. Use a lower setting for lower capacity load cells and vice-versa. Selections are in seconds.	Off 1, 3, 5, 10, 15, 20, 30, 50, 60,√ 120, 180, 240
Zero Track Band (Ztrack)	Selects the range within which the scale will automatically zero. Note that the scale must be in standstill to automatically zero. Selections are in Display Divisions.	0 d, 0.5 d, 1 d 3 d√, 5 d

Zero Range (Zrange)	Selects the range within which the scale may be zeroed. Note that the scale must be in standstill to zero the scale.	100%√ 1.9%
Motion Band (MotBand)	Sets the level at which motion is detected by comparing the present display update with the previous one. If motion is not detected for two seconds or more, scale is in standstill and can process a Print or Zero command. Maximum value varies depending on local regulations.	0.25 d√ 0.5 d 1 d 3 d 5 d 10 d
Digital Filter (DFitr)	Sets the scale's digital filtering method. The auto setting is a dynamic filtering algorithm which optimizes stability and response time. The settings 8 to 128 employ an averaging algorithm and the settings Full 8 to Full 32 employ a hybrid averaging/dynamic filtering algorithm.	Auto√ 8, 16, 32, 64, 128 Full 8, Full 16, Full 32
Overload Limit (OverLd)	Selects the desired formula which determines the point at which the scale shows overload. All selections are based on the primary calibration unit. "FS" = Full scale in primary units.	FS FS + 2%√ FS + 1d FS + 9d
Calib. Unit (CalUnt)	Selects the primary base unit to be used in the calibration process. Also the default unit for normal operation.	lb√ kg
Display Divisions (DspDiv)	Determines the desired weight increments. Value should be consistent with legal requirements.	1 2 5
Decimal Pt. (DecPnt)	Determines location of the decimal point.	0, 0.0, 0.00, 0.000 0.0000, 0.00000 00

TABLE 5-5: Local/Remote Scale Sub-menu Items

1. Press the soft key for each parameter listed in table 5-4. Each parameter will display soft key choices for setup. Select the desired soft key and press ENT to select.

5.4.7 SETCOM Allows configuration and selection of COM ports

The configuration items for both serial ports (COM1 and COM2) are mostly identical in content. Table 5-5 lists the items which are available to be configured for each serial port.

1. From the service menu, press the SETCOM soft key.
2. Press the COM1 or COM2 soft key to configure the serial port of your choosing. The sub-menu items are listed above the six soft keys.
3. Press the soft key pertaining to the parameter you wish to modify. The scale shows the current status or selection of that item in the form of a highlighted soft key text.
4. Press the soft key corresponding to the desired status then press the ENT key. You may exit this screen without making changes by pressing the CLR key.
5. Repeat steps 3 and 4 above until the configuration is complete.
6. Press the CLR key twice to return to normal operating mode.

PARAMETER (Soft Key Text)	DESCRIPTION	AVAILABLE CHOICES
Device (Device) for COM1	Selects the device connected to the COM1 serial port. The default setting is LP2742. DotPrt should be selected for a dot matrix serial printer. BarPrt should be selected for bar code printing.	DotPrt MP20 TDP5 ET-LTP
Device (Device) for COM2	Selects the device connected to the COM2 serial port. The default setting is Scanner. Scanner should be selected for a Symbol LS2401 or compatible bar code scanner. PC should be selected for a full duplex connection to a PC or remote display. See Appendix B for serial data format.	Scanner PC QWERTY keyboard TCS
Baud Rate (Baud)	Selects the baud rate for data transmission through the serial port. The default setting for both ports is 9600.	600 1200 2400 4800 9600
Data Bits and Parity (Bits)	Selects the number of data bits and parity of serial transmission. The default setting is 8 None. "8 None" = 8 data bits with no parity bit and 1 stop bit "7 Odd" = 7 data bits with odd parity bit and 1 stop bit "7 Even" = 7 data bits with even parity bit and 1 stop bit	8 None 7 Odd 7 Even
Mode of Serial Transmission (Mode) for COM2	Selects when data will be sent out of the COM2 serial port to a computer or remote display. The default setting is Demand. "Contiu" = Continuous mode; send data continuously "Demand" = Demand mode; send data when a PRINT command is issued from the computer.	Contiu Demand

TABLE 5-6: Com port Sub-menu Items

5.4.8 RESTORE SYSTEM DEFAULTS SUB-MENU (SysDft)

The Restore System Defaults sub-menu allows you completely restore all configuration settings throughout the scale to those programmed at the factory. This procedure will not overwrite your item ID storage.

Use with extreme caution – this process cannot be undone!

To access the Restore System Defaults sub-menu, follow the instructions below.

1. From the service menu, press the SYSDEF soft Key
2. Scale prompts "Restore Factory Defaults?"
3. Press the Yes soft key to restore factory settings or press the No soft key to exit.
4. Press the CLR key twice to return to normal operating mode.

5.4.9 LIGHT

1. From the service menu, press the LIGHT soft Key
2. Scale prompts "Setup BKLight"
3. Select either the ON soft key for always on or the Consva soft key where the back light turns off

after 10 minutes of no scale activity to conserve power for battery operation.

5.5 PRT FM Print format

1. From the main menu, press the * key
2. Press the PRTFM soft key
3. Scale prompts "Input Password"
4. Enter 4444

5.5.1 MARGIN

1. Press the MARGIN SOFT KEY
2. Scale prompts "Enter left margin spaces"
3. Enter a numeric value to set left margin. Default is 90.
4. Press ENT to accept

5.5.2 Header

1. There are three header fields used commonly for company name, address and city/state. These three header fields print on the default label and can be changed. There are also 10 user fields that contain text messages and may be selected for a custom label when using the FIELDS soft key. Header fields are 25 characters maximum.
2. Press the Header soft key and the scale prompts "Enter Message No.:"
3. Enter a two digit value – 01, 02 or 03 for default label header or 04 to 13 for user fields.
4. Scale displays HEADER MESSAGE SETUP screen.
5. The contents of the selected header are displayed and may be edited with the displayed soft keys.
6. Press the ENT key when editing is complete and scale prompts "Save Changes?"
7. Press the Yes soft key to accept or No soft key to exit without saving.

5.5.3 PrtMdl Printer model selection

1. Press the PrtMdl soft key.
2. The scale displays the model printers that have printer drivers preset in the scale.
3. Select the desired model and press the ENT key to accept or Exit soft key to exit without change.

NOTE: if there is a printer that you would like to use that is not listed, call the factory for a price on adding the print driver for your printer.

5.5.4 Fields

1. Press the Fields soft key.
2. The scale displays the fields for selection on the left side and the fields selected on the right side. The fields are display four per screen. Use the PgUp or PgDn keys to see more fields.
3. Use the arrow soft keys to move from side to side and up and down.
4. Use the Select soft key to add a field or the delete soft key to remove a field.
5. Some fields may print bar coded as well as human readable information. On the field selected side, press the B code key to add bar code. The letter B will show on the right side of the field selected screen. Press the B Code key again to remove.
6. Press the ENT key to accept and save the new label format.
7. The custom label is now set to print using the Print soft key from the main menu.

5.5.5 LABEL - Allows six label formats to be downloaded from WYSIWYG software and also allows selection of the label.

5.5.5.1 – Download label format from PC

1. Press the DnLoad soft key
2. Scale prompts “ Select Index to Download.”
3. Press a soft key 1 – 6 to store the label format and press ENT
4. Scale prompts “Ready to Download Ent – Save CLR - cancel”
5. Use test print from PC to download a formatted label.
6. Press ENT to accept label. Scale prompts “FMT SIZE = xxx” where xxx is the file size. A test label is automatically printed. Each of the six label registers is limited to a maximum of 10K bytes for a file size.
7. See table 5.6 for a list of the scale fields available to print. Other data may be included on the label as fixed text.

COMMAND	FUNCTION
%GR	Prints GR followed by Gross Weight
%NT	Prints NT followed by Net Weight
%APW	Prints APW followed by Average Piece Weight
%TR	Prints TR followed by Tare Weight
%PC	Prints PC followed by Number of Pieces
%DATE	Prints the current date from the 650
%TIME	Prints the current time from the 650
%IX	Prints IX followed by the Item ID (1 – 2000)
%ID	Before printing, the 650 will prompt for entry of a Product ID. IT then prints ID followed by the Product ID entered
%PN	Before printing, the 650 will prompt for entry of a Product Name. It then prints PN followed by the Product Name entered
%CH	Prints CH followed by the scale channel (1 or 2)
%LOT#	Before printing, the 650 will prompt for entry of a Lot #. It then prints LOT# followed by the lot number entered.

TABLE 5-7: Print commands for formatting a label with WYSIWYG software

5.5.6 Deflt

1. Pressing the Deflt soft key changes the selected label format to the default label.
2. Use the clear key to move back to other menus. See appendix 2 figure B4 for label example.

5.6 DIAGNOSTICS SUB-MENU (Diag)

The Diagnostics sub-menu allows you to test certain parts of the scale’s operation for troubleshooting purposes. Available areas for testing include ADC (Analog-to-Digital Converter) test, keyboard test and display test. This sub-menu also allows you to key-in the scale’s calibration. Table 5-7 lists the items which are contained in this sub-menu.

To access the Diagnostics sub-menu, follow the instructions below.

1. From the main menu. Press the * key.
2. Press the Diag soft key. Key-in the password (5555). The sub-menu items are listed above the six soft keys.

3. Press the soft key pertaining to the diagnostic function you wish to access.
4. Press the CLR key twice to return to normal operating mode.

Item	Soft Key	Description
ADC (Analog-to-Digital Converter) Test	ADTst	Shows the selected scale's internal counts. Useful for troubleshooting calibration problems. Use the G?N soft key to toggle between the original value and the zeroed value. Use the Zero soft key to zero the internal counts. Use the L/R soft key to toggle scales. Press the Exit soft key to exit this function.
Keyboard Test	KeyTst	Shows the key code for any key pressed. Useful for troubleshooting keyboard problems. Consult Table 5-8 for a listing of key codes. Press the CLR key to exit this function.
Display Test	DspTst	Displays a number of test screens for analysis of display problems. Press any key to sequence through the test screens. Automatically exits after displaying last screen.

TABLE 5-8: Diagnostic submenu

Key	Code	Key	Code
SOFT KEY #1	16	FIVE (5) KEY	05
SOFT KEY #2	17	SIX (6) KEY	06
SOFT KEY #3	18	SEVEN (7) KEY	07
SOFT KEY #4	19	EIGHT (8) KEY	08
SOFT KEY #5	20	NINE (9) KEY	09
SOFT KEY #6	21	ZERO (0) KEY	00
STAR (*) KEY	13	LOCAL/REMOTE KEY	14
ONE (1) KEY	01	FUNCTIONS KEY	15
TWO (2) KEY	02	DECIMAL (.) KEY	10
THREE (3) KEY	03	ENTER KEY	12
FOUR (4) KEY	04	CLR KEY	EXITS

TABLE 5-8: Display Test

5.6 ITEM ID SUB-MENU

This function is used to list, print or erase all items stored in the scale.

1. From the main menu. Press the * key.
2. Press the ItemID soft key. Scale prompts "Input Password". Enter 6666. The Configuration sub-menu items are listed above the six soft keys.

5.6.1 Intltem

INITIAL ITEM ID's (Initial)

This function is used to erase all stored item ID's.

Use with extreme caution – this process cannot be undone!

1. Press the Intltem soft key. The scale asks you to confirm this action.
2. Press the Yes soft key to proceed or press the No soft key to abort the operation.

5.6.2 EnSave

1. If Enable is selected with the soft key, any time the print command is used, the scale will prompt "Save Item ID?" if the item being counted is not already in the database.

5.6.3 DnLoad & UpLoad

1. Dnload is used to send a database from a PC to the 650. UpLoad sends the 650 database to a PC.

5.6.4 PRINT

1. Prints the 650 database to a dot matrix printer.

5.6.5 LIST

1. Displays a list of items in the database. See 4.2.2.

CHAPTER 6: CALIBRATION

6.1 CALIBRATION OVERVIEW

Your 650 scale ships from the factory fully calibrated as a stand alone unit. If you are using the 650 without a remote scale or the remote scale has been installed for you, then calibration is not necessary. In general, there is no need to calibrate the scale unless you feel that it has become inaccurate. It is a good idea to check the calibration of your scale from time to time with a precision test weight. Salter Brecknell recommends that you perform a new calibration on your digital scale at least once a year.

Note: If you wish to install the remote scale yourself - or you are a scale installer - then you must configure and calibrate the remote scale before it can be used. The remote scale's installation and wiring instructions are found in Appendix D. The Service Menu (Chapter 5) configures the scale to your remote weigh platform. Salter Brecknell recommends letting a professional install the remote scale unless you have previous experience in this field.

During calibration, up to four values are saved in the scale's memory – the zero value (deadweight) and up to three span values (test weights). If you are calibrating the local scale, see Table 6-1 for a listing of minimum and recommend test weights. In the unlikely event that either value is lost while in use, the Service menu makes provisions for re-entering these values. See Chapter 5 for more information.

6.2 CALIBRATION MENU

6.2.1 CALIB – THREE POINT CALIBRATION

1. Press the soft key CALIB
2. Scale prompts "Select local or remote for calibration".
3. Press the local or remote soft key or exit soft key to exit calibration
4. The scale prompts "Remove all weights and press enter".
5. Remove all weight from the scale platform and press the ENT key.
6. The scale prompts "please weight" and briefly displays the zero count value and then displays "Zero Calibration Done"
7. After computing the zero point the scale prompts "Input test weight in pounds (CAL Point 1)"
8. Enter the test weight value. For CAL point one use a test weight of at least 10% of the scale capacity and press ENT.
9. The scale prompts "Put test weight on the press enter"
10. Place the test weight on scale and press ENT.
11. The scale briefly displays the count value for CAL point one.
12. Follow the prompts for CAL point 2 and 3. Use approximately 50% of the scale capacity for CAL 2 and close to 100% of scale capacity for CAL 3.
13. If the calibration was completed successfully, the scale briefly display "Calibration Passed"

6.2.2 CALIB – SINGLE POINT CALIBRATION

1. Follow steps 1 – 11 in 5.4.1.
6. When the scale prompts "Input test weight in pounds (CAL Point 2) enter 0 the press ENT
7. The scale prompts "Abort Point 2 CAL?"
8. Press the YES soft key.
9. The scale prompts "Multi point cal aborted" and returns to the service sub-menu.

MODEL	Capacity / Graduation	Minimum Test Weight	Recommended Test Weight
650-12	12 x 0.001 lb	0.12 lb	8 lb to 12 lb
650-30	30 x 0.002 lb	0.3 lb	20 lb to 30 lb
650-60	60 x 0.005 lb	0.6 lb	40 lb to 60 lb
650-120	120 x 0.01 lb	1.2 lb	80 lb to 120 lb
650-6M	6 x 0.0005 kg (0.5 g)	60 g	4 kg to 6 kg
650-15M	15 x 0.001 kg (1 g)	150 g	10 kg to 15 kg
650-30M	30 x 0.002 kg (2 g)	300 g	20 kg to 30 kg
650-60M	60 x 0.005 kg (5 g)	600 g	40 kg to 60 kg

TABLE 6-1: Minimum / Recommended Calibration Test Weights for Local Scale

APPENDIX A: SPECIFICATIONS

CONSTRUCTION:

Housings: Gray ABS
Sub-Platform: Metal
Platter: Stainless Steel
Feet: Non-skid Hard Rubber

DISPLAY:

240 x 64 Graphic LCD,
EL Backlighting

KEYPAD:

22-key Tactile Keypad

OVER CAPACITY ANNUNCIATION:

103% of Full Scale Capacity

OPERATING TEMPERATURE RANGE:

32°F to 104°F
(0°C to 40°C)

POWER SOURCE:

AC Adapter, 12VDC, 800 mA,
included

COM1 SERIAL PORT:

Simplex RS-232, DSUB9M

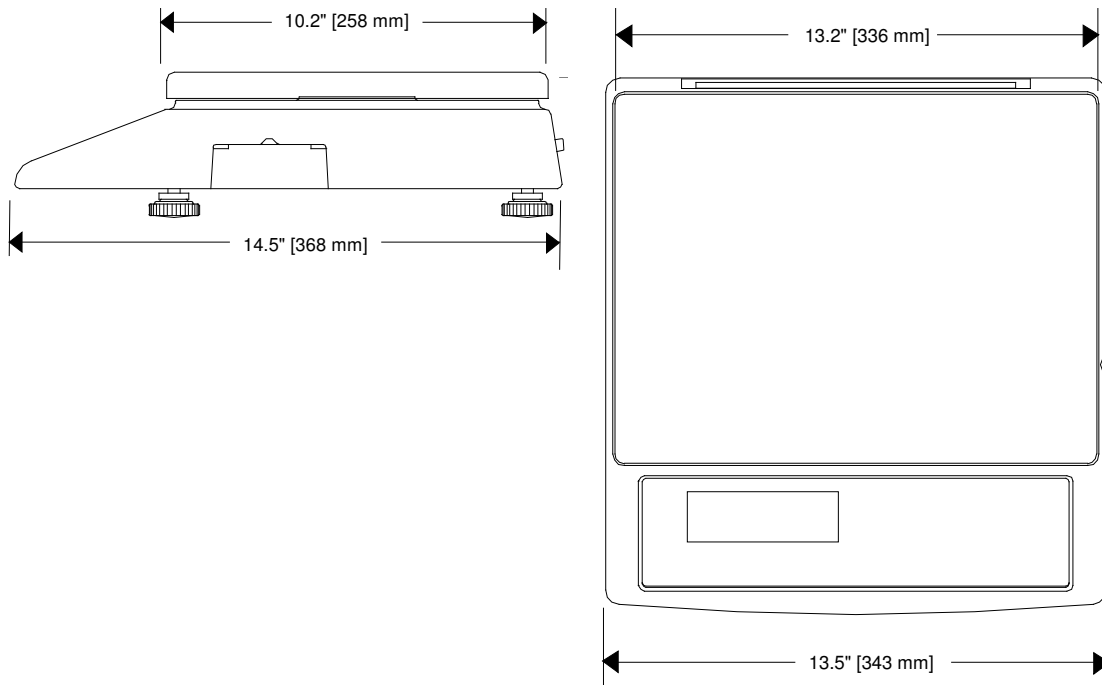
COM2 SERIAL PORT:

Full Duplex RS-232, DSUB9F

WEIGHT:

Net Weight: 23.0 lb (10.4 kg)
Shipping Weight: 24.0 lb (10.8 kg)

PHYSICAL DIMENSIONS:



APPENDIX B: SERIAL PORT INFORMATION

B.1 COM1 SERIAL PORT

B.1.1 CONNECTING THE SERIAL PRINTER

The COM1 serial port is a simplex RS-232 port designed for connection to a serial printer. Figure B-1 shows the serial port pinout. Figure B-2 shows a suggested cable diagram for a dot matrix serial printer. Figure B-3 shows a suggested cable diagram for a thermal serial printer. The cable shown in Figure B-3 is a standard Salter Brecknell cable – Model NMC-1.

Note: The COM1 serial port contains a non-standard pin-out for a DSUB9 connector. Earlier 650 models may contain a standard pin-out for a DSUB9 connector. In this case, pin 3 is the Transmit Data (TXD) pin.

1. Plug the serial printer cable (not included) directly into the DSUB9 serial port connector.

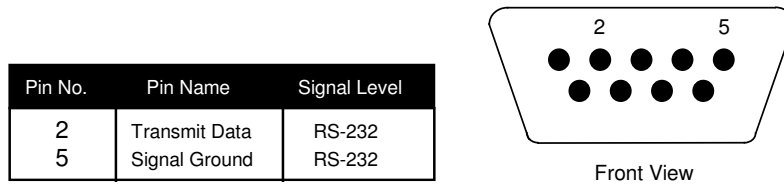


Figure B-1: Pin assignments for the COM1 serial port connector

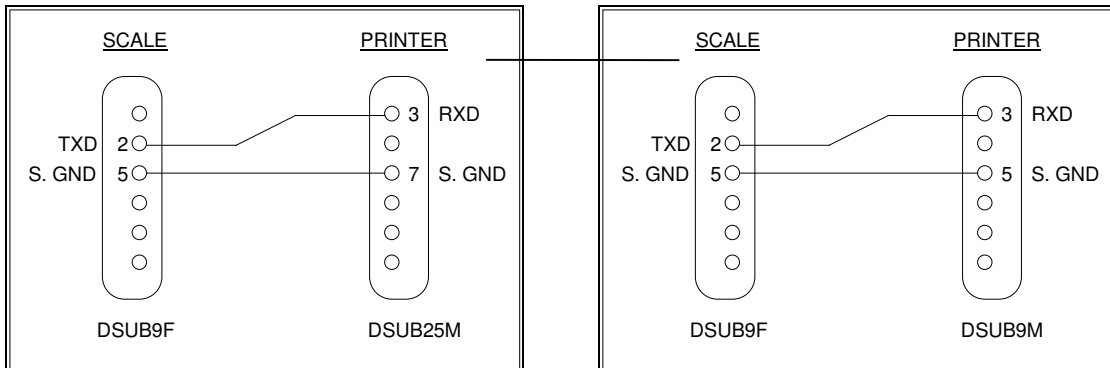


FIGURE B-2: Cable Diagram for Scale to Dot Matrix Printer

FIGURE B-3: Cable Diagram for Scale to Thermal Printer

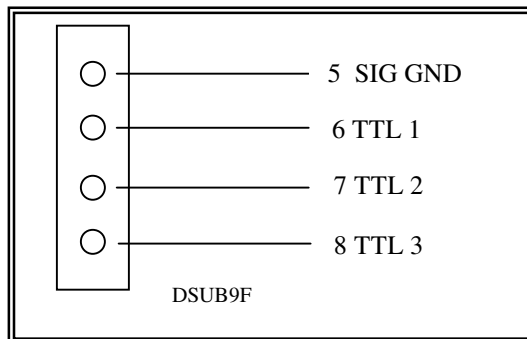


FIGURE B-2: Cable Diagram for Scale to external relays

B.1.2 DEFAULT PRINT FORMAT

Figure B-4 shows the fixed format of the print format. The fields can be enabled or disabled as described in Section 5.5.4.

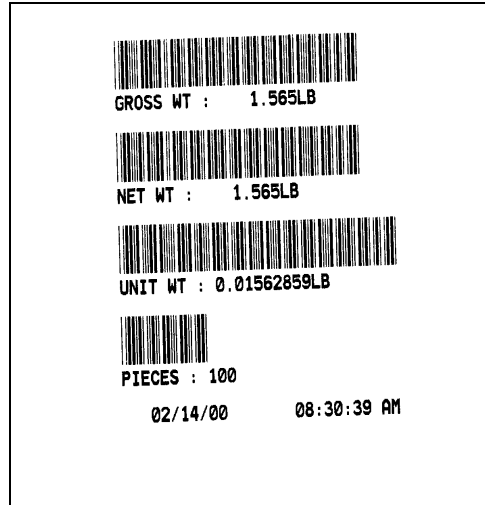


FIGURE B-4: Default Print Format for Thermal Printer

B.1.3 CONNECTING TO MP-20

When connecting the MP20 to the 630, use an NMC-1 cable from COM 1. Connect the other end of the NMC-1 cable to the printer cable supplied with the MP-20. Configure section 5.5.3 to select the MP-20. Create a label using section 5.5.4. Select the fields to print in human readable only. If a field has a bar code selected, it may not fit the entire bar code across the two inch width of the label causing an incomplete, unreadable bar code.

B.2 COM2 SERIAL PORT

B.2.1 CONNECTING THE SCANNER, REMOTE DISPLAY, TC100 OR COMPUTER

The COM2 serial port is a full duplex RS-232 port designed for connection to a computer, scanner or remote display. Figure B-5 shows the serial port pinout. Figure B-6 shows a suggested cable diagram for a PC-type computer. Figure B-7 shows a suggested cable diagram for a scanner. The cable shown in Figure B-6 is a standard Salter Brecknell cable – Model NMC-1.

Note: Earlier 650 models may not be equipped with a COM2 serial port.

1. Plug the scanner, remote display or computer communication cable (not included) directly into the DSUB9 serial port connector.

Pin No.	Pin Name	Signal Level
2	Receive Data	RS-232
3	Transmit Data	RS-232
5	Signal Ground	RS-232

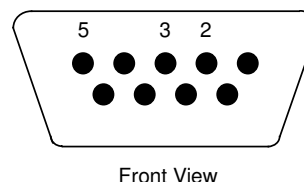


Figure B-5: Pin assignments for the COM2 serial port connector

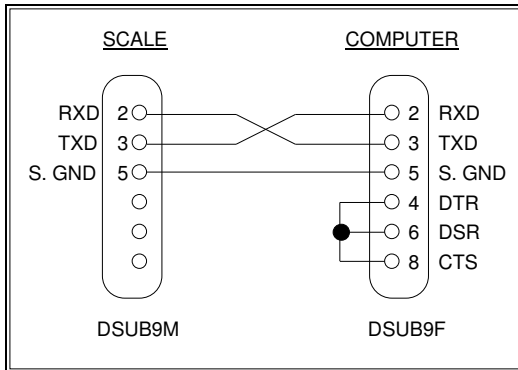


FIGURE B-6: Cable Diagram for Scale to Computer

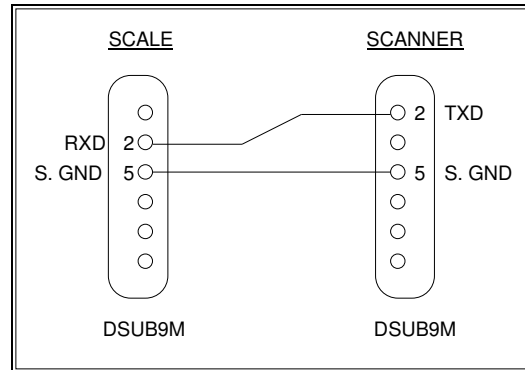


FIGURE B-7: Cable Diagram for Scale to Scanner

B.2.2 FULL DUPLEX MODES FOR COM2

B.2.2.1 DEMAND MODE

The Demand mode allows control from a host device, usually a PC, and can be activated by pressing the Print soft key. Figure B-8 shows the serial data format for the Demand Mode. Table B-1 shows the recognized host commands.

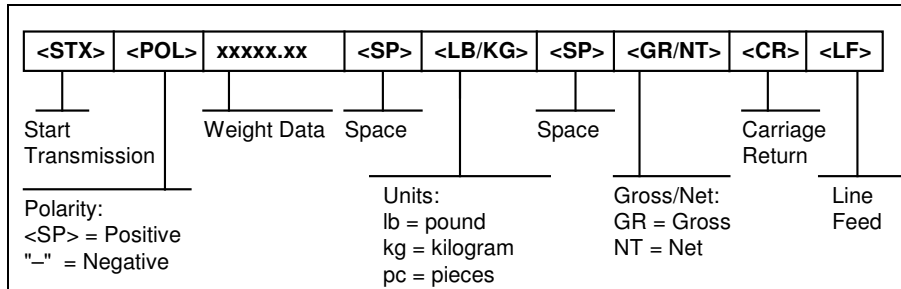


FIGURE B-8. Consolidated Controls Demand Mode

- “**P**” - This command is sent to the scale to print the indicated display. The scale will not respond if the scale is in motion, positive overload or negative overload.
- “**Z**” - This command is sent to the scale to zero the scale. If the scale is in motion, the scale will wait until a state of equilibrium is achieved. The scale will not respond at all if the scale is in positive overload or negative overload. The scale will also not respond if it is not in gross mode or within the zero range specified in F4 of the Setup Menu.
- “**T**” - This command is sent to the scale to tare the scale. If the scale is in motion, the scale will wait until a state of equilibrium is achieved. The scale will not respond at all if the scale is in positive overload or negative overload. The scale will also not respond if it displaying a negative gross value.
- “**G**” - This command is sent to the scale to revert to gross mode. The scale will not respond if the scale is in motion, positive overload or negative overload. The scale will also not respond if it is not in net mode.
- “**N**” - This command is sent to the scale to revert to net. The scale will not respond if the scale is in motion, positive overload or negative overload. The scale will also not respond if it is not in gross mode or a tare has yet to be established.
- “**C**” - This command is sent to the scale to toggle among the configured units.

TABLE B-1. Recognized Host Commands

B.2.2.2 CONTINUOUS MODE

The Demand mode is used to interface to computers, scoreboards and other remote devices requiring constant data updating. The transmission occurs at the end of each display update. Figure B-9 shows the serial data format for the Continuous Mode.

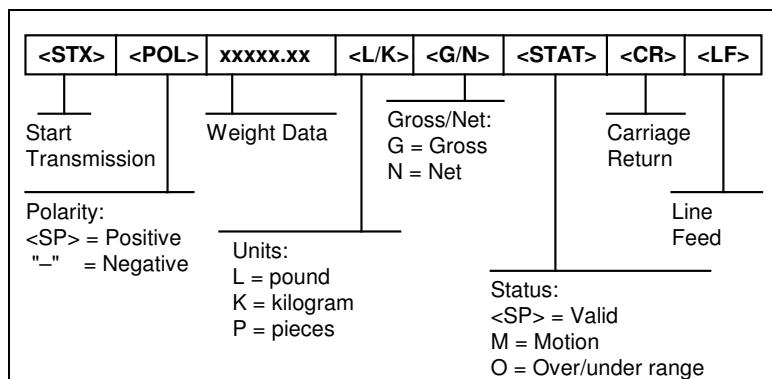


FIGURE B-9. Consolidated Controls Continuous Mode

B.2.3 CONNECTION TO A 610 OR 630

A 610 or 630 may be used for high precision calculations of average piece weights. The 610 or 630 can transmit the APW to the TC2010.

650 CONFIGURATION

1. Use COM 2 and set to scanner – see B.2.1
2. Use an NMC-2 male to male cable.

610 OR 630 CONFIGURATION

1. Set A 6 to APW transmit mode
2. Connect MNC-2 cable to COM 1

TO USE THE APW FROM THE 610

1. **From the 650**
2. Make sure the 610 is counting the pieces you want the average piece weight from.
3. Press the SAMPLE soft key on the 650.
4. Press the APW soft key on the 650.
5. Press the TCS soft key on the 650.
6. The APW from the 610 is retrieved and the 650 begins counting

1. From the 610 OR 630

2. Use the 610 or 630 to count pieces you want the average piece weight from.
3. Press the PRINT key on the 610 to transmit the APW to the 650.

CAUTION: this will over-write any existing APW currently being used in the 650.

APPENDIX C: ERROR MESSAGES

C.1 ERROR MESSAGES

If the scale encounters an error condition, it will display a message alerting the operator. A description of each display follows:

C.1.1 OPERATOR ERRORS

Message	Explanation
Maximum Scale Weight Exceeded	Indicates that the weighing capacity of the selected scale has been exceeded.
<i>Not Enough Resolution</i>	Indicates that there is not enough internal resolution to calculate the unit weight of an item. This means that the items you are counting are too light for the scale to process at all.
<i>Unit Weight too Light</i>	Indicates that unit weight of the items you are sampling or manually entering is too light for the scale to process accurately.
<i>Sample Weight too Light</i>	Indicates that total weight of the items you are sampling is too light for the scale to process accurately.
<i>Invalid Tare Value Entered</i>	Indicates that the tare weight value you are entering is not rounded to the nearest scale division. For example, you cannot enter 0.01 lb for a 0.05 lb increment scale.
<i>Value Exceeds the Scale Capacity</i>	Indicates that the tare weight value or unit weight value you are entering exceeds the capacity of the scale.
<i>Remote Scale Error – Cannot Switch</i>	Indicates that there is a problem with the remote scale or the remote scale has been disconnected.
<i>Remote Scale Disabled</i>	Indicates that the remote scale is disabled. Occurs when you press the Local / Remote key.
<i>No Such ID in System</i>	Indicates that the ID number you have entered or scanned does not exist in the scale.
<i>No Pieces for Accumulating</i>	Occurs when you press the M+ soft key with nothing on the scale platform.

C.1.2 CALIBRATION ERRORS

Message	Explanation
Scale Not Ready	Scale is unstable or there is an internal error in the scale.
<i>ERROR: Value Exceeds Scale Capacity</i>	Indicates that the test weight value you have chosen exceeds the scale's capacity.
<i>ERROR: Value <1% of Scale Capacity</i>	Indicates that the test weight value you have chosen is less than 1% of the scale's capacity.
<i>ERROR: Internal Resolution Too Low</i>	Occurs when you do not place the test weight on the scale during calibration. Can also indicate that there is an internal error in the scale.
<i>Wrong Test Weight</i>	During a multi-point calibration, the entered test weight value did not match the test weight applied to the scale. This error can also occur if the following relationship is not true: Cal Point 1 < Cal Point 2 < Cal Point 3
<i>Invalid Data</i>	Occurs when you enter a value of zero for the KcalZR or KcalSP functions. See Chapter 5 for more information.

APPENDIX D: REMOTE SCALE WIRING

D.1 REMOTE SCALE WIRING

The 650 ships with a 15 ft shielded load cell cable for connection to the remote platform's load cell(s) or junction box. The 650 supplies enough current to drive up to 4-350 Ω load cells.

1. Plug the cable's 14-pin Centronics-type connector into the load cell port on the rear panel of the scale.
2. Wire the bare wires and shield to the remote platform's load cell(s) or junction box using the color codes shown in Figure D-1.

Color	Wire Name
RED	+Excitation
BLK	-Excitation
GRN	+Signal
WHT	-Signal

Figure D-1: Color Codes for Shielded Load Cell Cable

3. If you do not wish to use the shielded load cell cable, you may use own, following the pin assignments shown in Figure D-2. (A 14-pin Male Centronics-type connector is required).

Pin Nos.	Pin Name
1/8	+Excitation
3/10	-Excitation
5/12	+Signal
7/14	-Signal

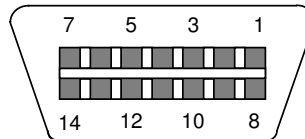


Figure D-2: Pin assignments for the Load Cell Port